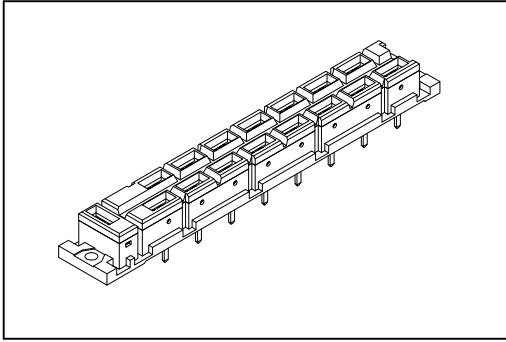


9001 Series

DIN41612 H15+1 Type Female



Material:

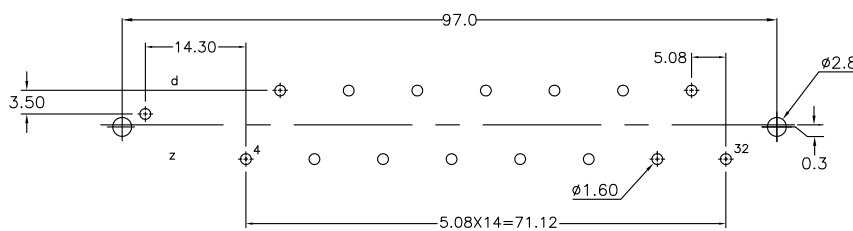
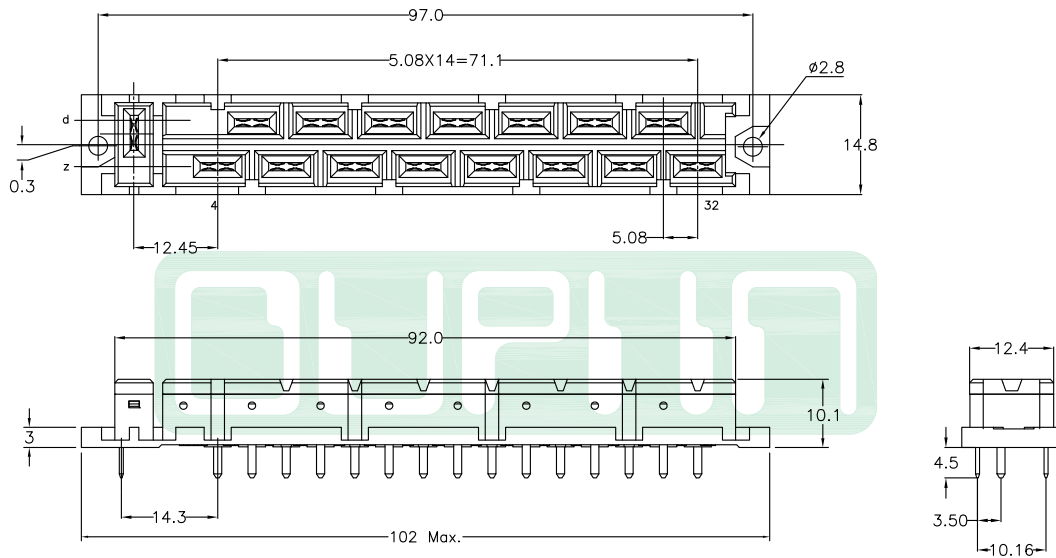
Housing: Thermoplastic Polyester Glass Filled UL94V-0.
Contacts: Copper Alloy.

Electrical Characteristics:

Current Rating: 15 A @20°C.
Dielectric Withstanding Voltage: AC 3100V.
Insulator Resistance: 1000MΩ min.
Contact Resistance: 8mΩ max.
Operating Temperature: -55°C ~+125°C.

Features:

* Power Connectors.



P.C. Board Layout

Ordering information

<u>9001-</u>	<u>5</u>	<u>2</u>	<u>16</u>	<u>3</u>	<u>T</u>	<u>A</u>
Series		2: Female	Position	3: Dip Length	T: Tin Plating	A: Tray Package