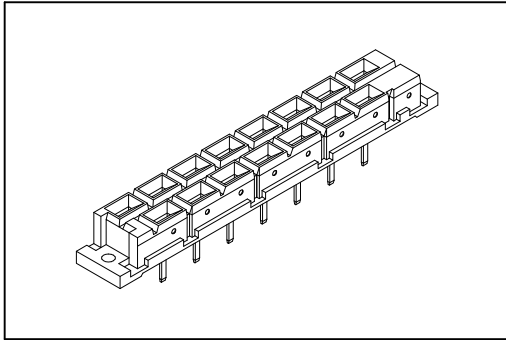


9001 Series

DIN41612 H15 Type Female



Material:

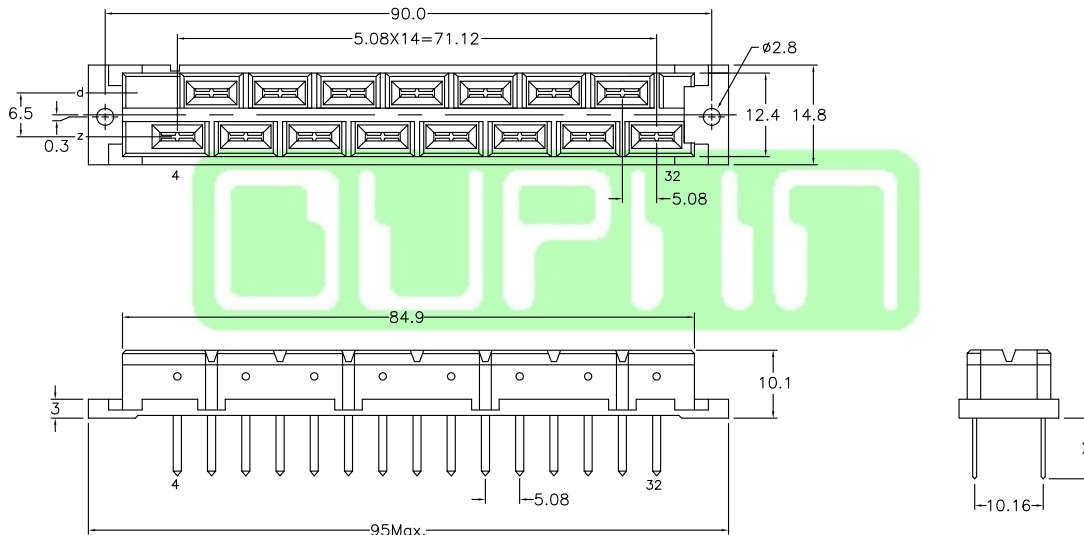
Housing: Thermoplastic Polyester Glass Filled UL94V-0.
 Contacts: Copper Alloy.

Electrical Characteristics:

Current Rating: 15 A @20°C.
 Dielectric Withstanding Voltage: AC 3100V.
 Insulator Resistance: 1000MΩ min.
 Contact Resistance: 8mΩ max.
 Operating Temperature: -55°C ~+125°C.

Features:

- * Power connectors.
- * Mates with 9001-5115.



P.C. Board Layout

X Length	1	2
	4.0	10.0

Ordering information

9001- 5 2 15 1 T A
 Series 2: Female Position 1: Dip Length 2: Dip Length T: Tin Plating A: Tray Package