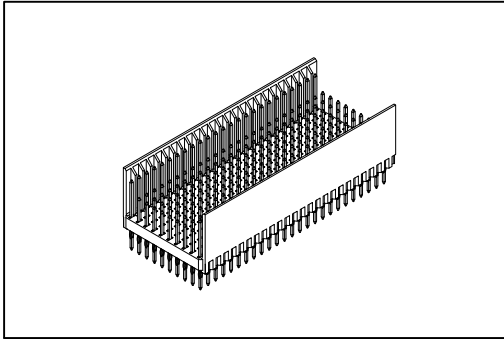


9111 Series

Hard Metric Connector Male Type E-25



Material:

Housing: Thermoplastic Polyester Glass Filled UL94V-0.

Contacts: Copper Alloy.

Electrical Characteristics:

Current Rating : 1 A.

Dielectric Withstanding Voltage: AC 750V.

Insulator Resistance: 10000MΩ min.

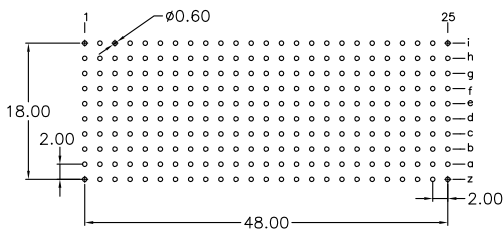
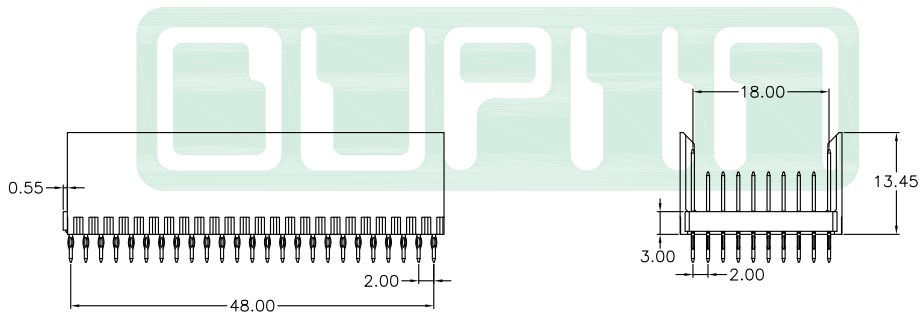
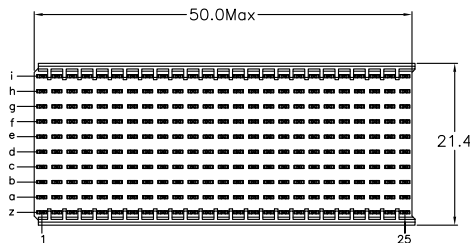
Contact Resistance: 20mΩ max.

Operating Temperature: -55°C ~+125 °C.

Features:

* Type E Straight Male.

8 X 25 Signal and 50 Ground Shield Contact.



P.C. Board Layout

Ordering information

9111- 10 1 E 250 A C CB 30 U
 Series 10Row 1: Male E: Type E Housing Type Signal Pin(a~h Row) Shield Pin(i,z Row) CB: Contact Au+Pd/Ni, 30: 30 μ" U: Tube
 A: A Contact C: C Contact Dip Tin plated Package
 Blank: Without Shield Pin

*Contact Size Please Refer To Page CE54, Other Special Pin Layout Please Consult To Factory.

Information including designs, specifications and components may be changed or updated without notice.