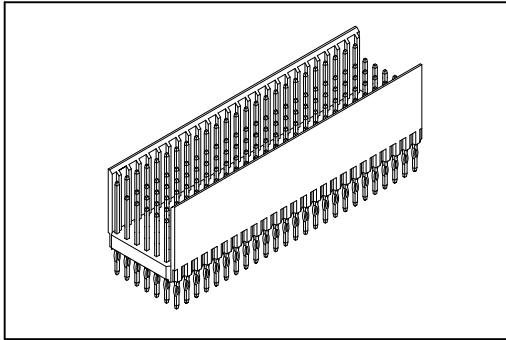


9111 Series

Hard Metric Connector Male Type B-25



Material:

Housing: Thermoplastic Polyester Glass Filled UL94V-0.

Contacts: Copper Alloy.

Electrical Characteristics:

Current Rating : 1 A.

Dielectric Withstanding Voltage: AC 750V.

Insulator Resistance: 10000MΩ min.

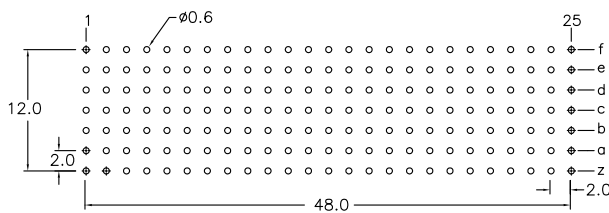
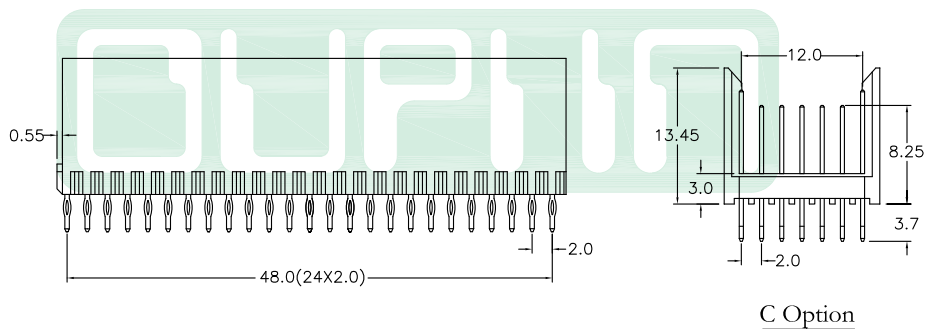
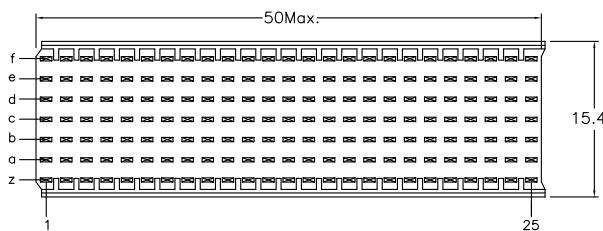
Contact Resistance: 20mΩ max.

Operating Temperature: -55°C ~+125°C .

Features:

* Type B Straight Male.

5 X 25 Signal and 50 Ground Shield Contact.



P.C. Board Layout

Ordering information

<u>9111-</u>	<u>7</u>	<u>1</u>	<u>B</u>	<u>175</u>	<u>C</u>	<u>CB</u>	<u>30</u>	<u>U</u>
Series	7Row	1: Male	B: Type B	Housing Type	C: C Option	CB: Contact Au+Pd/Ni, Dip Tin plated	30: 30 μ"	U: Tube Package

*Contact Size Please Refer To Page CE54, Other Special Pin Layout Please Consult To Factory.

Information including designs, specifications and components may be changed or updated without notice.