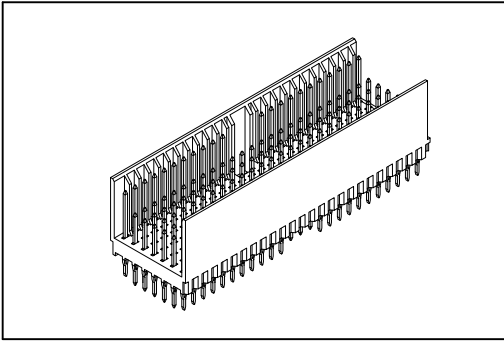


9111 Series

Hard Metric Connector Male Type AB-25



Material:

Housing: Thermoplastic Polyester Glass Filled UL94V-0.

Contact: Copper Alloy.

Electrical Characteristics:

Current Rating : 1 A.

Dielectric Withstanding Voltage: AC 750V.

Insulator Resistance: 10000MΩ min.

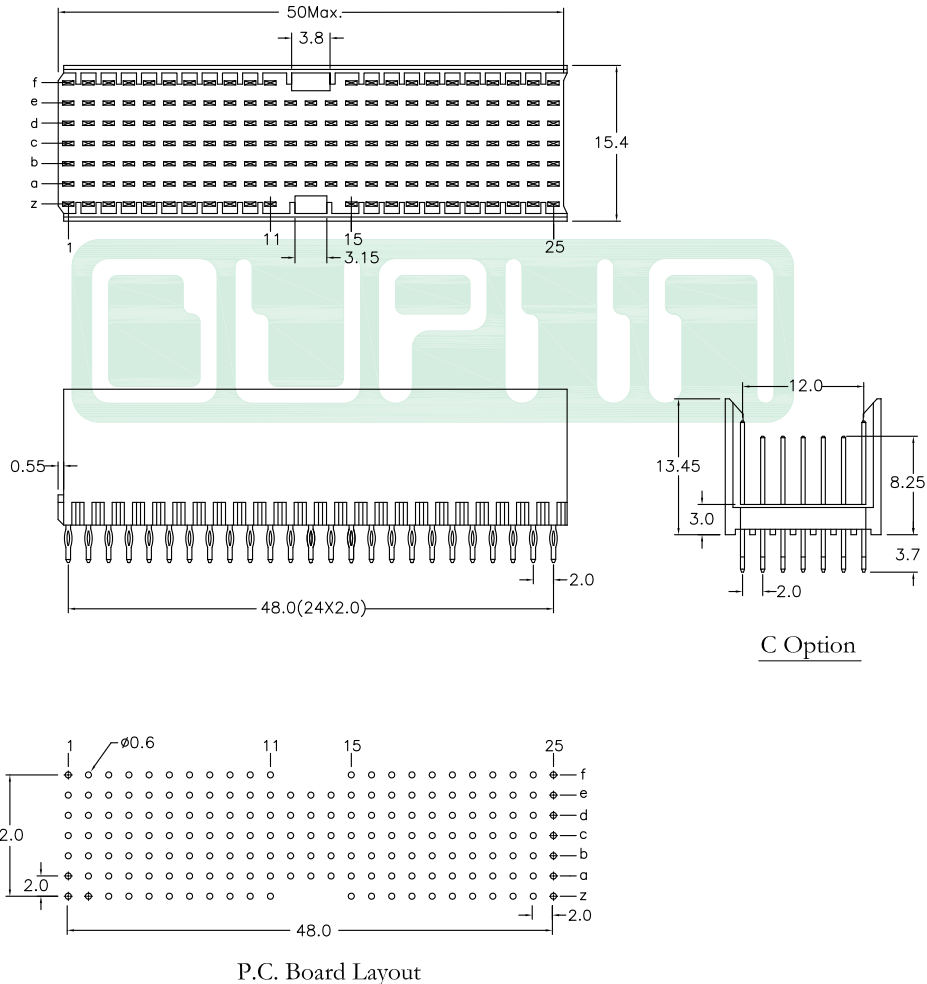
Contact Resistance: 20mΩ max.

Operating Temperature: -55°C ~+125°C.

Features:

* Type AB Straight Male.

5 X 25 Signal and 44 Ground Shield Contact.



Ordering information

<u>9111-</u>	<u>7</u>	<u>1</u>	<u>AB</u>	<u>169</u>	<u>C</u>	<u>CB</u>	<u>30</u>	<u>U</u>
Series	7Row	1: Male	AB: Type AB	Housing Type	C: C Option	CB: Contact Au+Pd/Ni, Dip Tin plated	30: 30 μ"	U: Tube Package

* Contact Size Please Refer To Page CE54, Other Special Pin Layout Please Consult To Factory.

Information including designs, specifications and components may be changed or updated without notice.