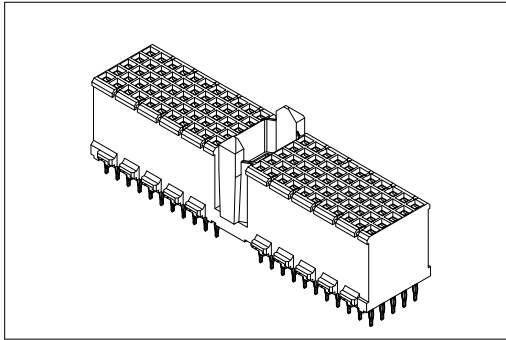


# 9111 Series

## Hard Metric Connector Female Straight Type A



### Material:

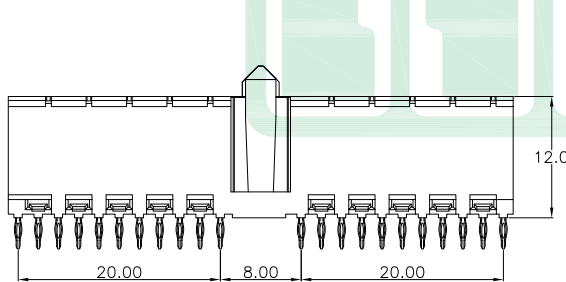
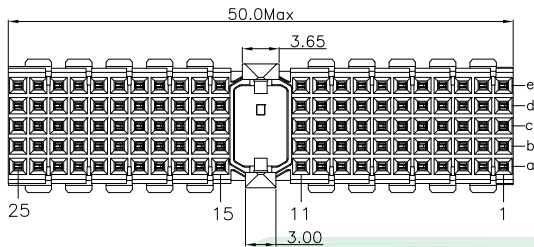
Housing: High Temperature Plastic UL94V-0.  
Contacts: Copper Alloy.

### Electrical Characteristics:

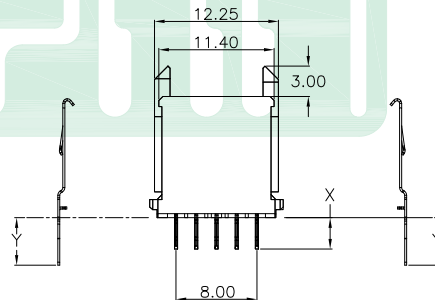
Current Rating : 1 A.  
Dielectric Withstanding Voltage: AC 750V.  
Insulator Resistance: 10000MΩ min.  
Contact Resistance: 20mΩ max.  
Operating Temperature: -55°C ~+125°C.

### Features:

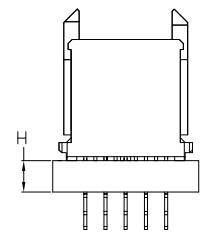
\* Type A Straight Female.  
5 X 22 Position Fully Loaded.



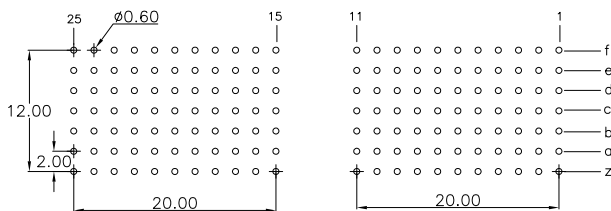
Front Shielded



Back Shielded



With Spacer



P.C. Board Layout

**Available Length			
X Dip Length	*	*	*
	0	1	2
	3.1	3.3	3.7
Y Shielded Length	*	*	*
	0	1	2
	3.1	3.3	3.7
H Spacer Length	*		
	H1	H2	
	3.1	9.6	

## Ordering information

9111- 7 4 A 110 0 1 1 H1 CB 30 A  
 Series 7Row Female Type A Position 0: Dip Length 3.1mm 1: None Shielded Blank : W/O Shielded Blank : W/O Spacer CB: Contact 30:30 μ" A:Tray  
 1: Dip Length 3.3mm 2:With Front & Back Shielded 0: Shielded Length 3.1mm H1: With Spacer 3.1mm Au+Pd/Ni, Dip Tin plated Package  
 2: Dip Length 3.7mm 1: Shielded Length 3.3mm H2: With Spacer 9.6mm 2: Shielded Length 3.7mm