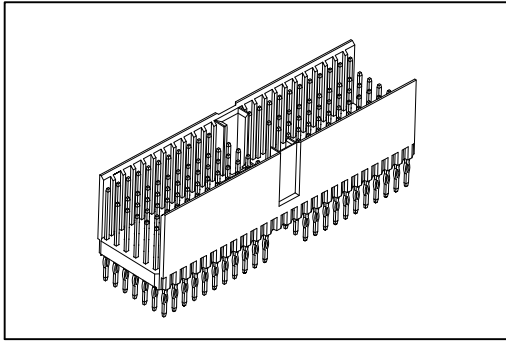


9111 Series

Hard Metric Connector Male Type A



Material:

Housing: Thermoplastic Polyester Glass Filled UL94V-0.

Contacts: Copper Alloy.

Electrical Characteristics:

Current Rating : 1 A.

Dielectric Withstanding Voltage: AC 750V.

Insulator Resistance: 10000M Ω min.

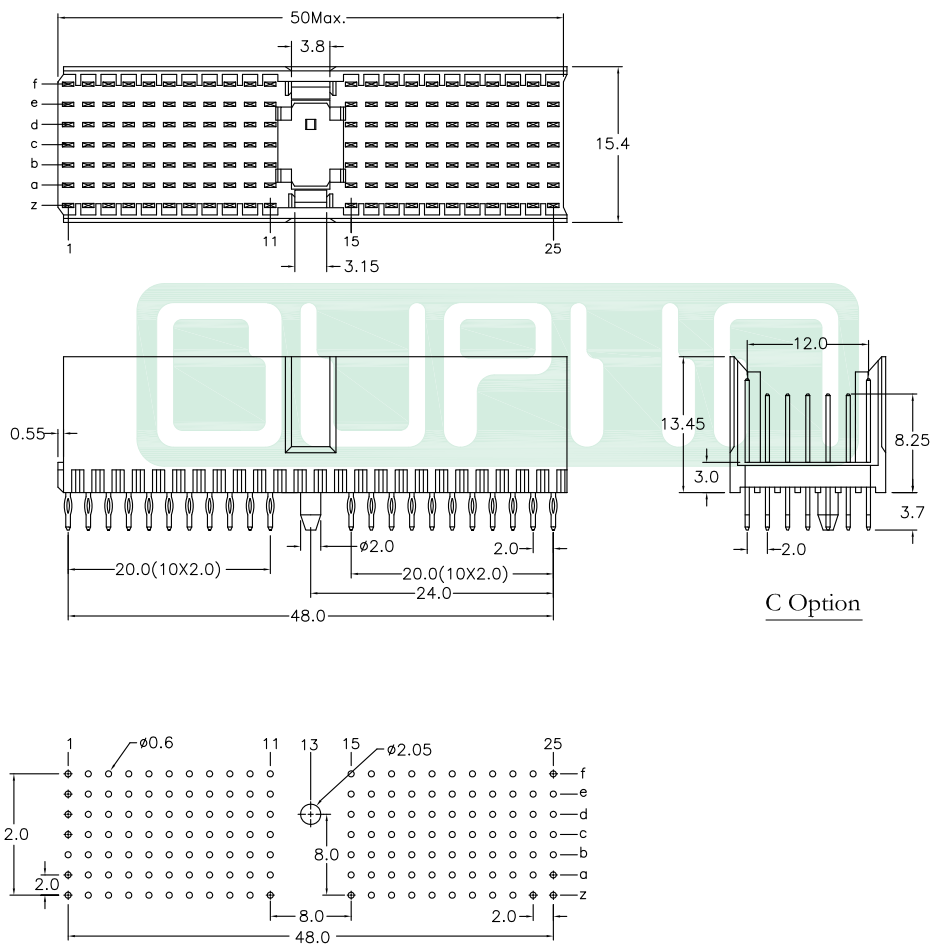
Contact Resistance: 20m Ω max.

Operating Temperature: -55 $^{\circ}$ C ~ +125 $^{\circ}$ C.

Features:

* Type A Straight Male.

5 X 22 Signal and 44 Ground Shield Contact.



P.C. Board Layout

Ordering information

<u>9111-</u>	<u>7</u>	<u>1</u>	<u>A</u>	<u>154</u>	<u>C</u>	<u>CB</u>	<u>30</u>	<u>U</u>
Series	7Row	1: Male	A: Type A	Housing Type	C: C Option	CB: Contact Au+Pd/Ni, Dip Tin plated	30: 30 μ "	U: Tube Package

* Contact Size Please Refer To Page CE54, Other Special Pin Layout Please Consult To Factory.

Information including designs, specifications and components may be changed or updated without notice.