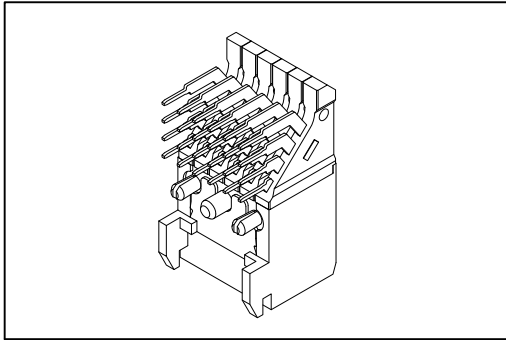


9111-C Series

H.D. 2.0mm(0.079") Futurebus(+)4 Rows Female Right Angle Type



Material:

Housing: High Temperature Plastic UL94V-0.

Contacts: Copper Alloy.

Electrical Characteristics:

Current Rating: 1 A.

Dielectric Withstanding Voltage: AC 1000V .

Insulator Resistance: 1000MΩ min.

Contact Resistance: Row a 25mΩ max.

Row b 35mΩ max.

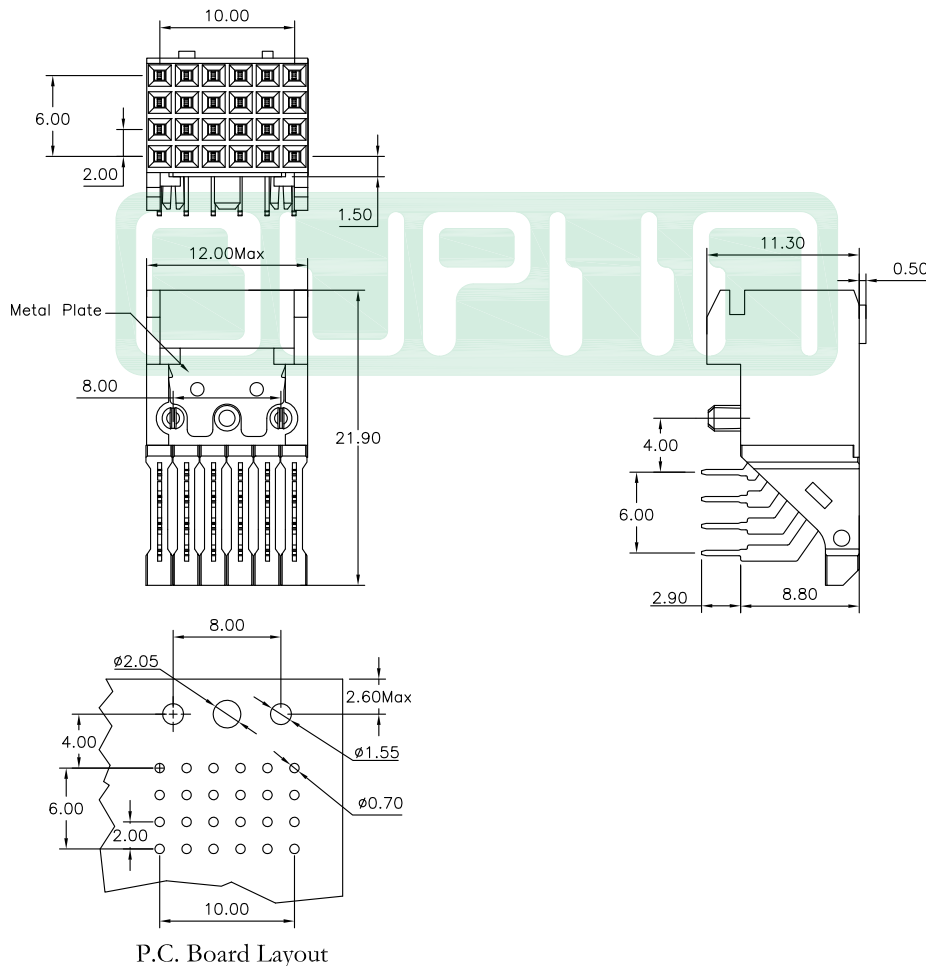
Row c 40mΩ max.

Row d 45mΩ max.

Operating Temperature: -55°C~+125°C.

Features:

- * 2mm high density futurebus+ female right angle solder type.
- * Available pin count 24.
- * Side by side stackable.
- * Push-Fit peg.
- * For Through-hole Reflow.



Ordering information

<u>9111-C</u>	<u>4</u>	<u>2</u>	<u>24</u>	<u>1</u>	<u>1</u>	<u>CB</u>	<u>30</u>	<u>D</u>	<u>T</u>
Series	4:4Rows	2: Female	Position	1: Dip Length	1: With Metal Plate	CB:Contact Au+Pd/Ni, Dip Tin plated	30: 30μ"	D:Dip Type	T: Tape & Reel Package U: Tube Package