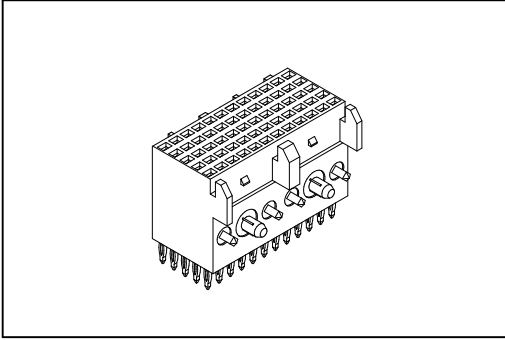


# 9111 Series

## H.D. 2.0mm(0.079") Futurebus(+)5 Rows Female Straight Type



### Material:

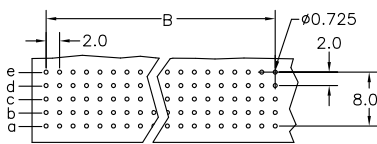
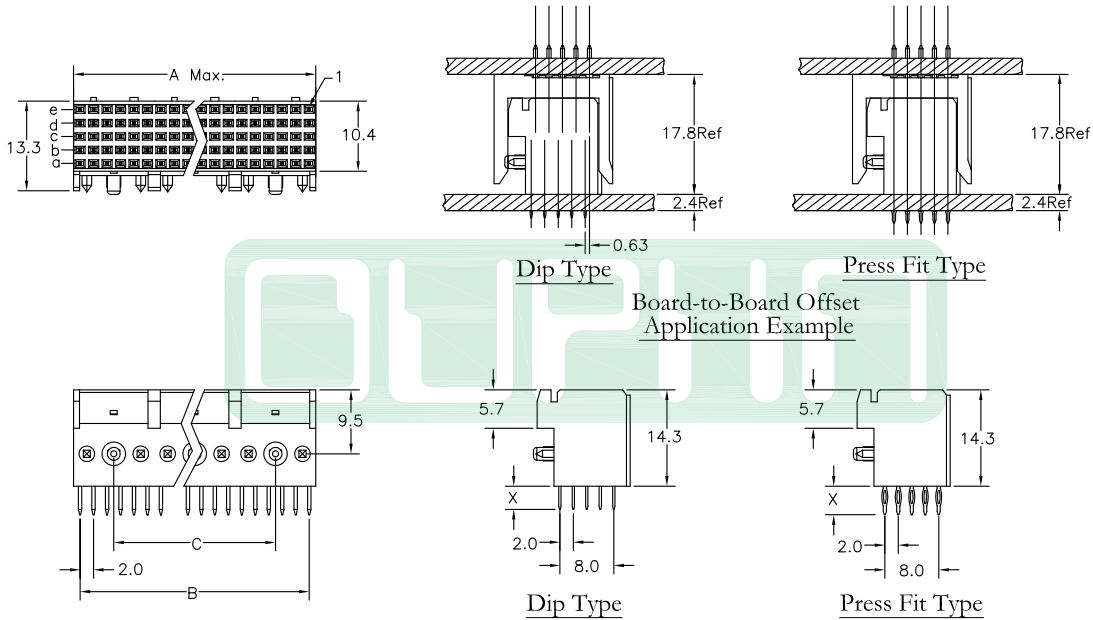
Housing: High Temperature Plastic UL94V-0.  
Contacts: Copper Alloy.

### Electrical Characteristics:

Current Rating: 1 A.  
Dielectric Withstanding Voltage: AC 1000V.  
Insulator Resistance: 1000MΩ min.  
Contact Resistance: 30mΩ max.  
Operating Temperature: -55°C~+125°C.

### Features:

- \* 2mm high density futurebus+ female straight solder and press fit type.
- \* Available pin count from 30 ~ 240.
- \* Side by side stackable.



P.C. Board Layout

X	1	2	3
Length	3.45	4.25	3.00
**Available Position			
Dip	Press Fit	Position	
X1 X2 X3	X1 X2 X3	A	B
* * *	* * *	30	11.95 10.0
* * *	* * *	60	23.95 22.0 12.0
		90	35.95 34.0 24.0
	* * *	120	47.95 46.0 36.0
		150	59.95 58.0 48.0
	* * *	180	71.95 70.0 60.0
	* * *	210	83.95 82.0 72.0
	* * *	240	95.95 94.0 84.0

## Ordering information

9111- Series   
 5 5: 5Rows   
 6 6: Female   
 30 Position   
 1 1: Dip Length   
 C C: Selective Gold Plated   
 10 10: 10 μ"   
 P P: Press Fit Type   
 U U: Tube Package  
 2: Dip Length   
 D: Dip Type   
 3: Dip Length